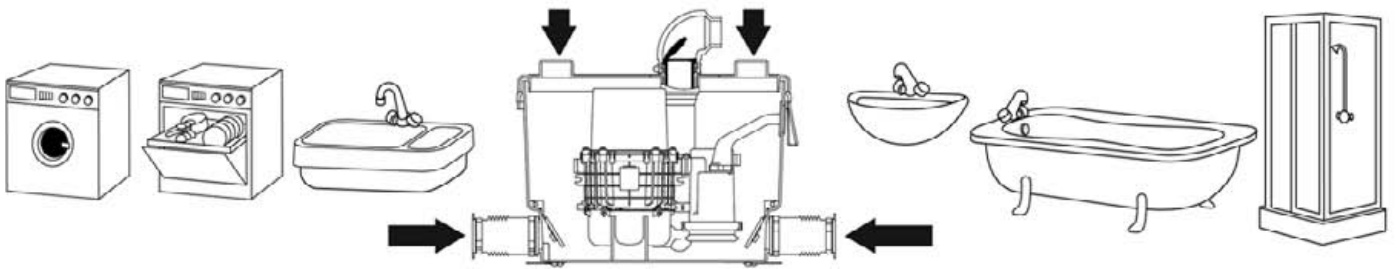


1. Description



This unit is a pump that will clear the waste from a shower and washbasin, bath, washing machine, glass washer and a sink in a light commercial situation.

The unit will start automatically.

Please pay particular attention to the following:



Possible danger to personnel

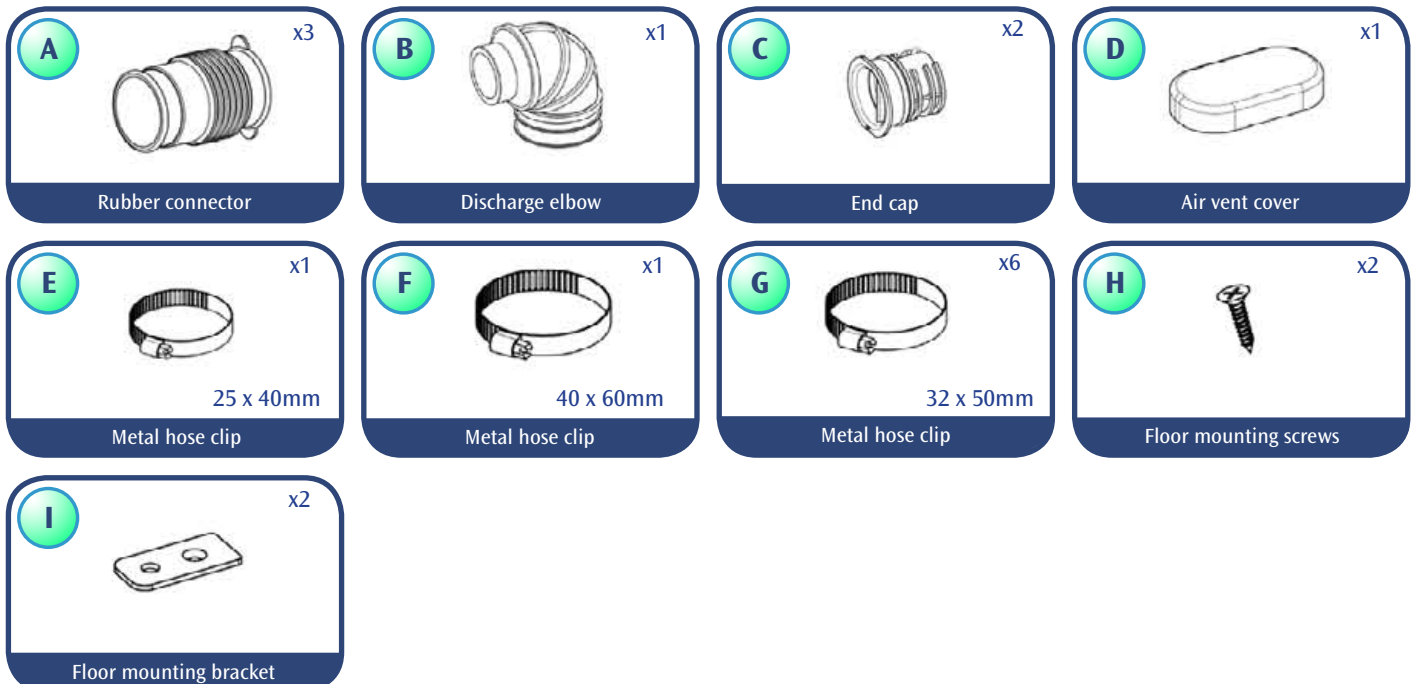


Warning of possible electrical hazard

“ATTENTION” This is a general warning that failure to follow instructions could result in poor functioning of the unit.

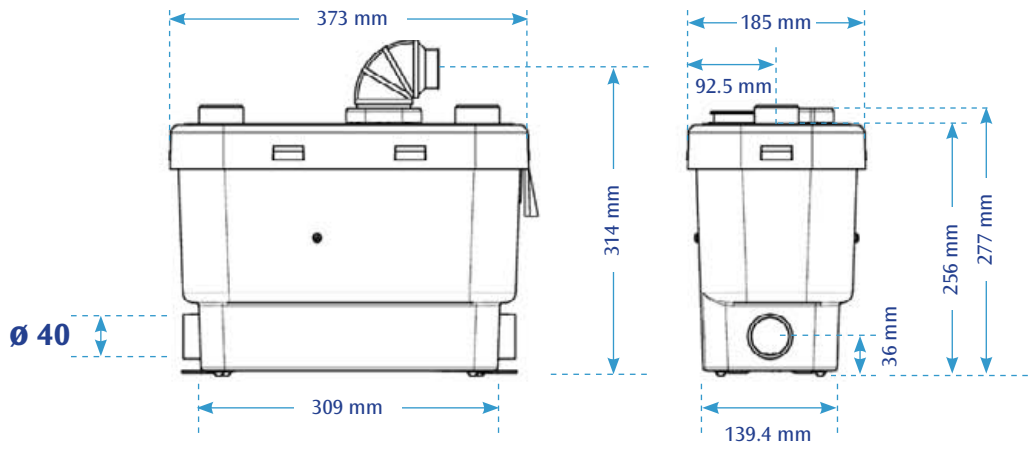
This equipment benefits from the latest technological innovations concerning soundproofing. To benefit fully from the advantages provided by this new generation of appliances, it is important to comply with the installation instructions in section 5.

2. List of Accessories included

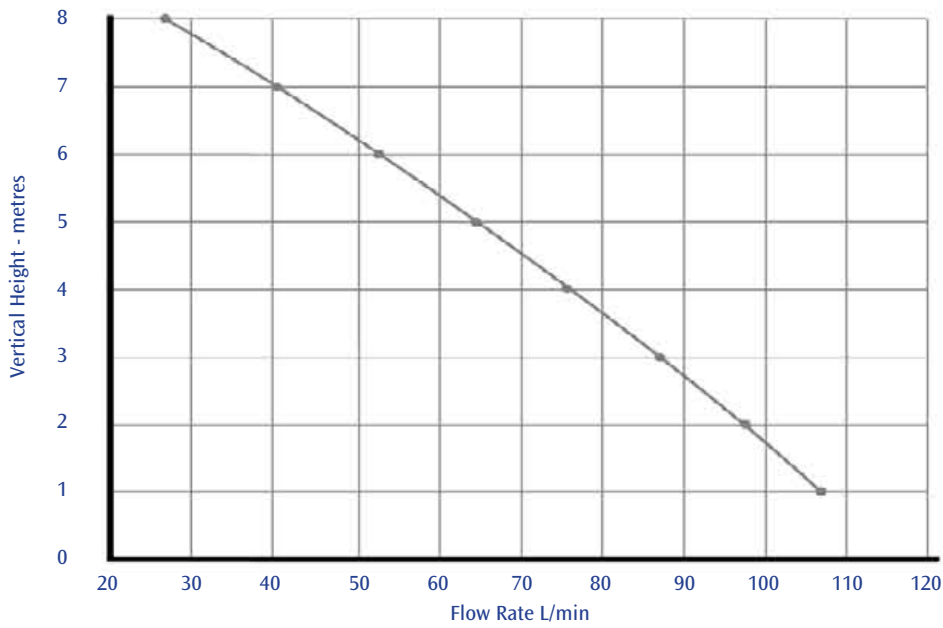


3. Dimensions and overall measurements

This unit is for domestic use only.

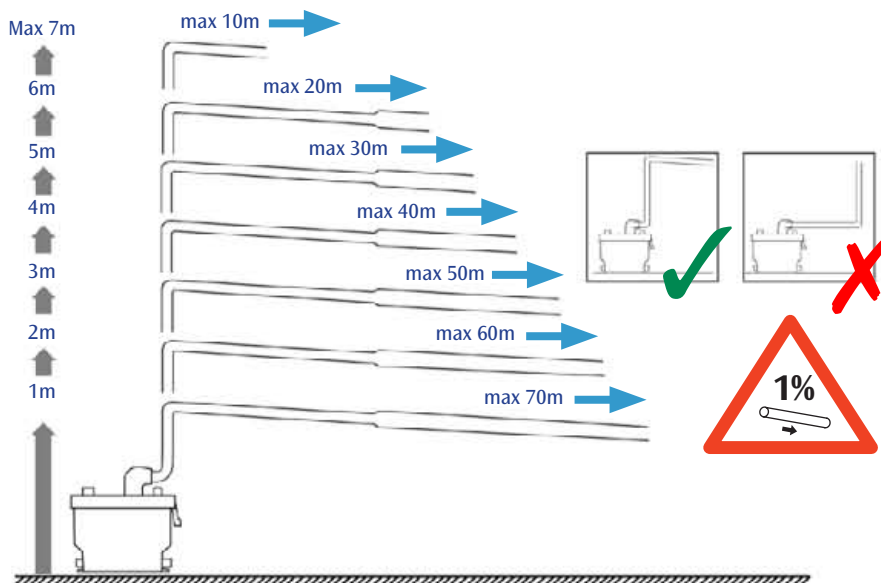


4. Performance Curve & Height and Length of the discharge pipe

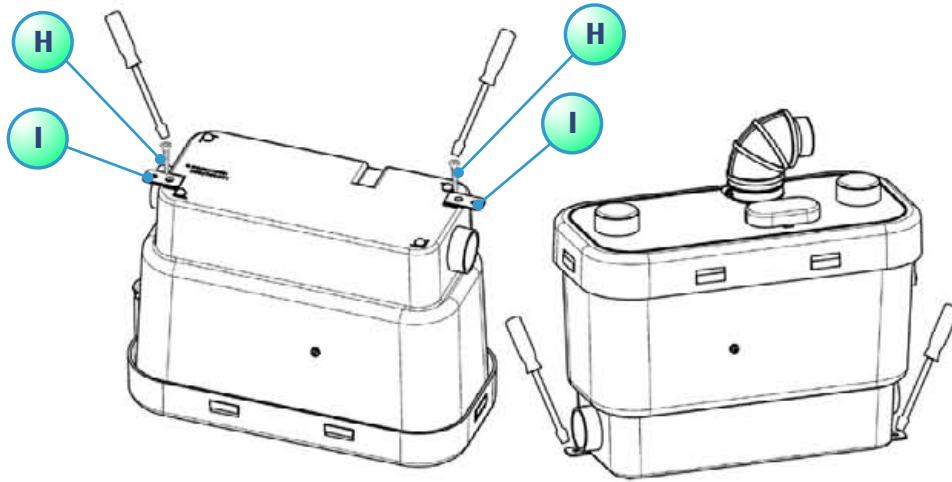


$\varnothing 32$

The discharge pipe size for Sanispeed must be 32mm.

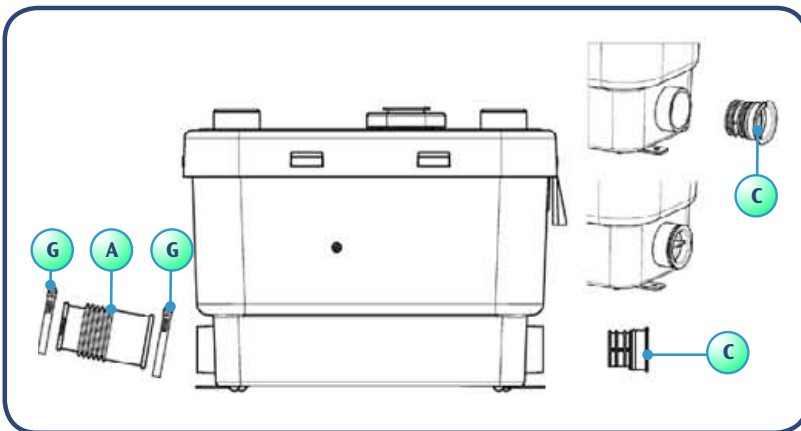


5. Installation



The unit should be accessible for possible maintenance.
It is supplied with floor fixing lugs to prevent it from moving during use.
If pumping vertically, always put the vertical before the horizontal at the start of the piperun.

6. Connection to side inlets



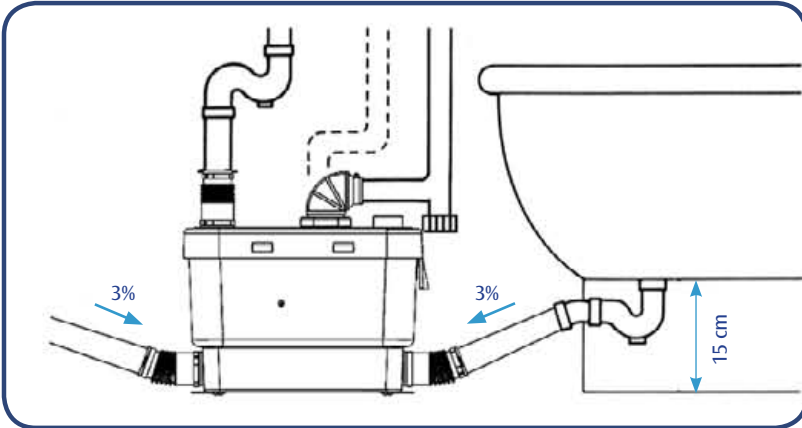
Use the rubber connector (A) for connection of pipes to the side inlets.
Secure with the metal hose clips (G).
Cap off unused inlets with the end caps (C) provided, after greasing the joints.

7. Connection to lid inlets



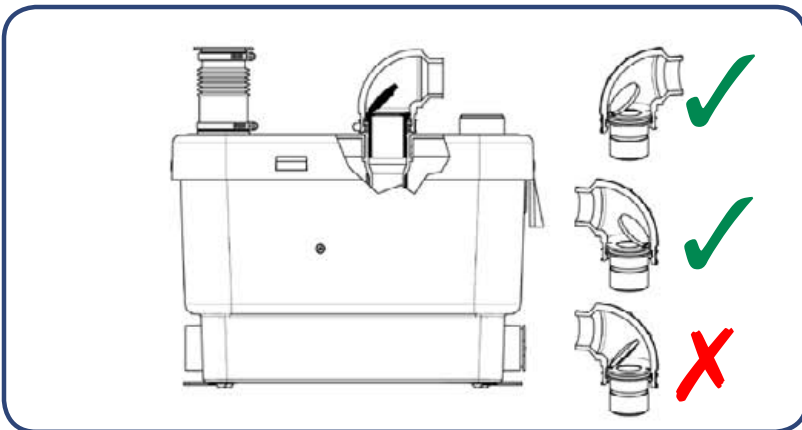
To connect to a lid inlet, cut off the sealed cap with a hacksaw and connect using the rubber connector (A) provided. Tighter with the metal hose clips (G).

8. Connection of bathroom appliances



To connect a shower/bath, ensure that the trap exit is 15cm above floor level. Although not obligatory, a lid connection may be used to run an external air vent.

9. Discharge connection



Note: The discharge pipework should be 32mm copper or rigid solvent weld plastic.

Observe the pumping parameters of the unit (vertical and horizontal combination, step 4).

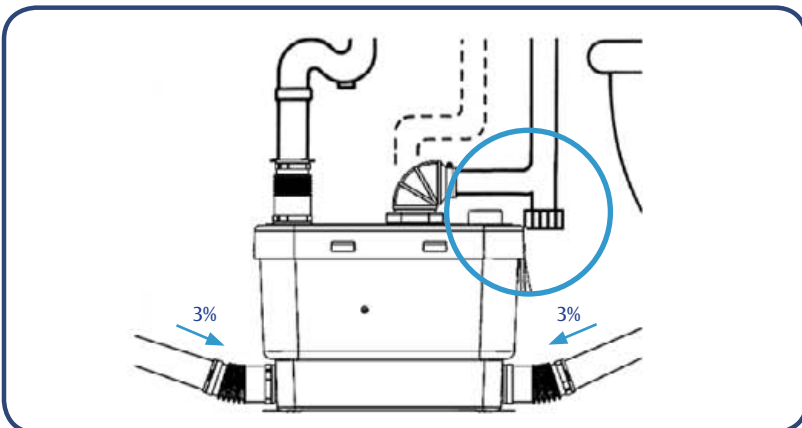
All horizontal pipe runs must have a minimum fall of 1:100 (10mm per metre) all the way to the drain.

Technical advice for discharge to lower floor

If the discharge pipework runs to a level considerably lower than the unit, the resultant siphoning effect can suck out the water seal in the unit. Fitting an air admittance valve capable of withstanding 10psi pressure (BBA approved) at the high point of the pipe run will overcome this problem.

Orient the opening end of the non-return valve in the direction of the discharge. Secure with the metal hose clip (F).

10. In case of servicing



For possible service requirements, provide a drain off at the low point of the installation.

11. Electrical connection



The electrical installation should be carried out by a qualified person.

All wiring must conform to BS7671, 1992 requirements for electrical installations. The Sanispeed requires a 220/240V single phase AC 50 Hz supply (UK specification). Do not connect the Sanispeed to a conventional plug and socket. It must be wired into a fused, unswitched, fixed wiring connector fitted with a 5 amp fuse. The Sanispeed has an earth wire. The wires in the mains lead are coloured in accordance with the following code:

Brown – Live Blue – Neutral Green/Yellow – Earth

Warning: Ensure the electricity is turned OFF at the main switchboard before wiring to connector.

All work on cable, pressure chamber and motor should only be carried out by a qualified Saniflo servicing agent, as special tools are required.

UK – 230/240V 50Hz.

The unit should be installed so it is easily accessible/removable for possible maintenance.

The unit should not be exposed to splashing in normal use.



CANADA
USA

EUR

CH

GB

12. Norms

The unit conforms with EN 12050-2 waste water lifting plant.

SANISPEED®

Société Française d'Assainissement

EN 12050-2

FF02-V45

220 - 240 V - 50 Hz - 400 W - IP44 2A - 6,4 KG



13. Care and use

The Sanispeed is designed to handle the waste evacuation from a bath, kitchen sink, dishwasher and washing machine - in a light commercial situation. Its powerful pump will deal with every day normal usage.

Warning: Do not dispose of solvents, paints (do not wash paint brushes in sink), caustic, acid or other chemicals into these products.

Depending on usage, the unit may need to be cleaned from time to time. Heavy usage can result in a build up of fat and grease.

The unit will pump away water as hot as 90°C for 5 minutes (i.e. to clear the hottest waste water from a washing machine). However, do not pour boiling water directly into the unit.

When pumping very hot water for a prolonged period of time, the unit will automatically cut out to protect the motor (thermal cut-out). When this happens the unit will shut down long enough to cool down (approx.1 hour) and automatically resume normal operation when ready.

14. Dismantling

Disconnect from the power supply before attempting any work on the unit.

The unit does not require any specific maintenance.

In case of a service requirement, please call the Saniflo service engineer, especially for any electrical work.

15. Guarantee

2 years guarantee as from its date of purchase subject to correct installation and correct use.

